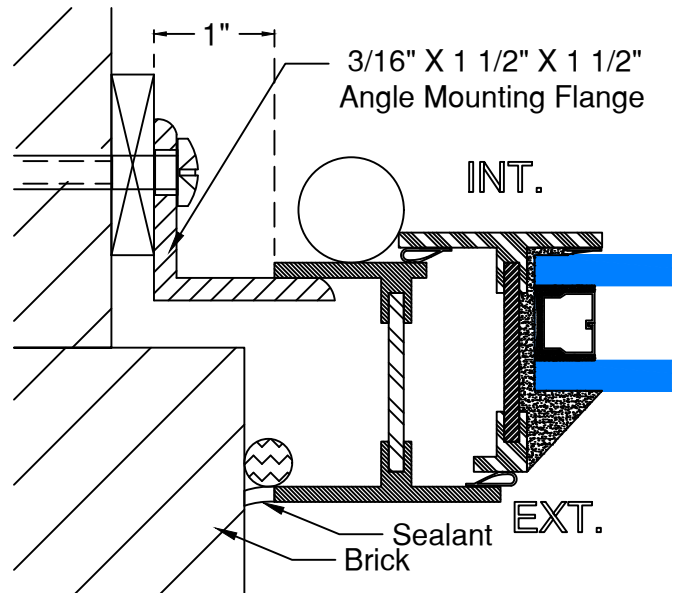
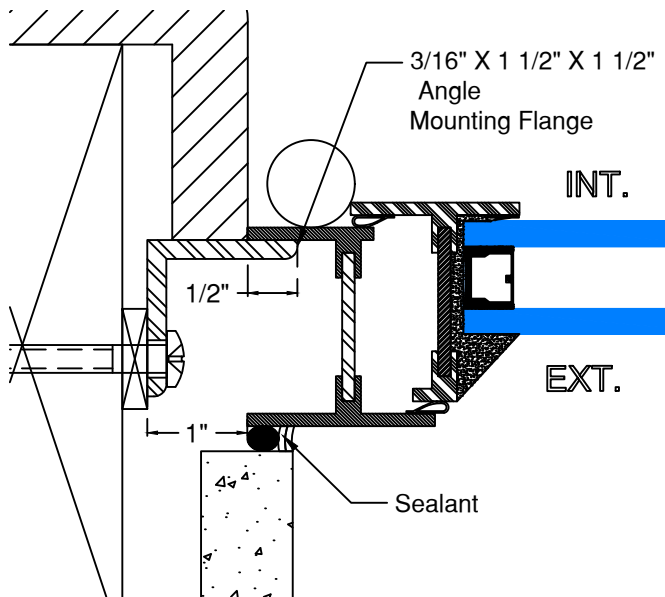


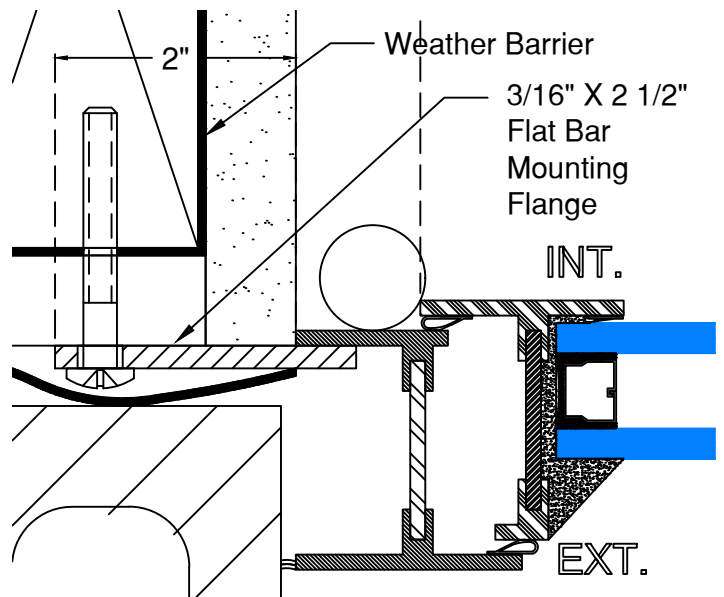
#1 BRICK -FLUSH INSTALLATION



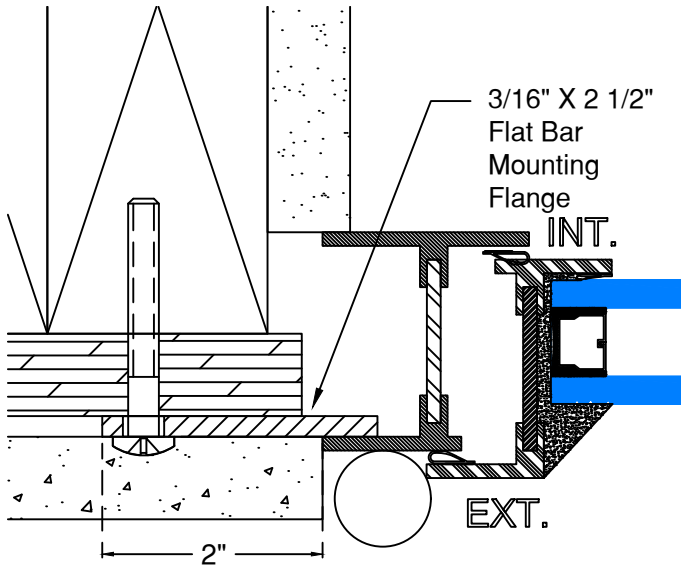
#2 STUCCO / DRYWALL LAP INSTALLATION



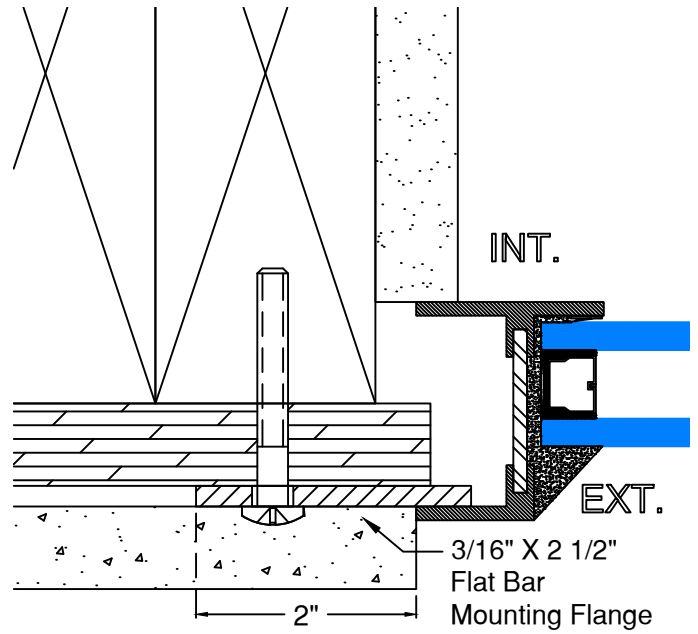
#3 MASONRY FLUSH INSTALLATION



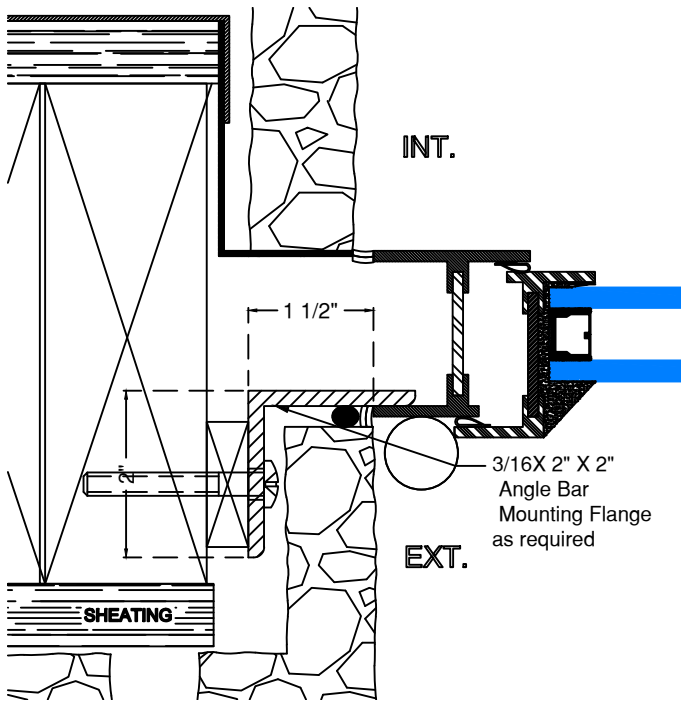
#4 BRICK - FLUSH INSTALLATION (STANDARD)



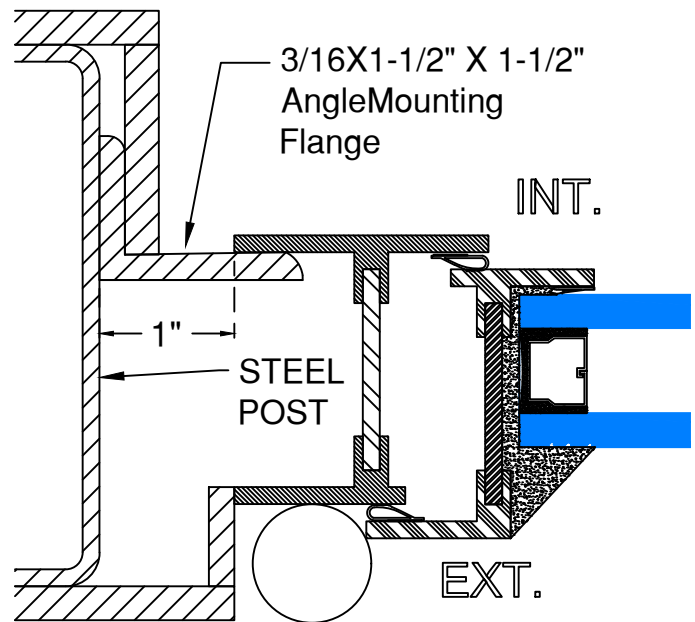
#5 STUCCO / DRYWALL LAP INSTALLATION



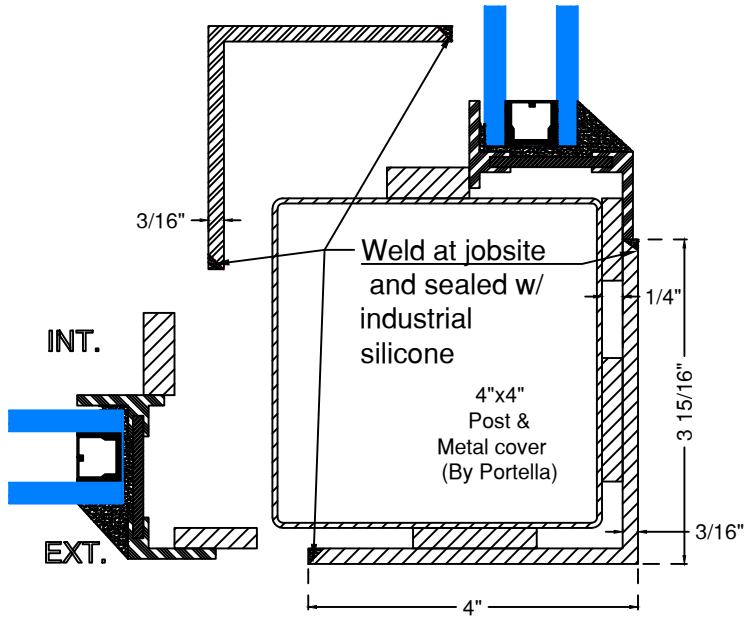
#6 STUCCO / DRYWALL LAP INSTALLATION



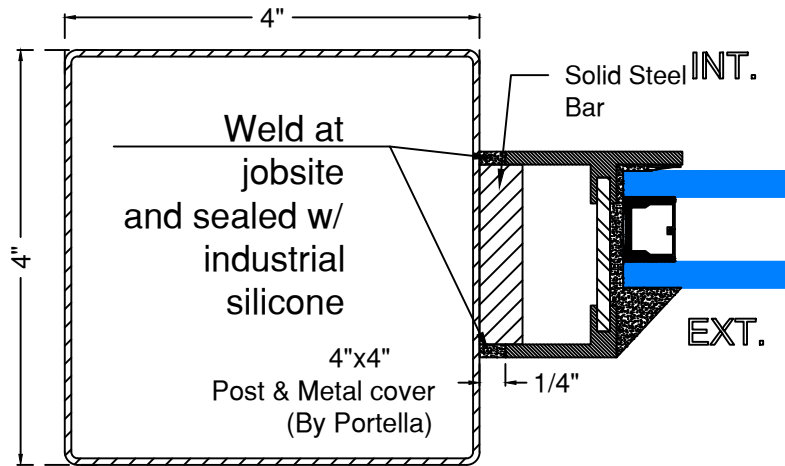
7 STONE - LAP INSTALLATION



#8 STEEL COLUMN INSTALATION



#1 FLANGE WELDED TO COLUMN



#2 FLANGE WELDED TO COLUMN