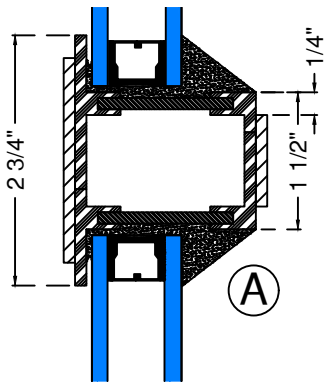
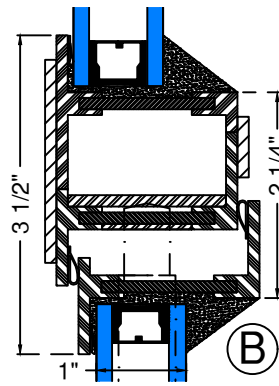


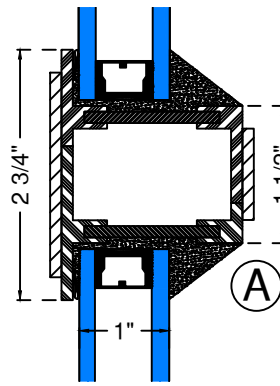
Oversize Door Unit



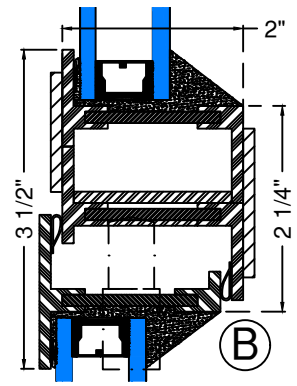
#1 External Reinforcement,
Thermal Mullion-Outswing



#2 External Reinforcement,
Thermal Mullion-Inswing



#3 Internal Reinforcement,
No Thermal Mullion-Outswing



#4 Internal Reinforcement,
No Thermal Mullion-Inswing

