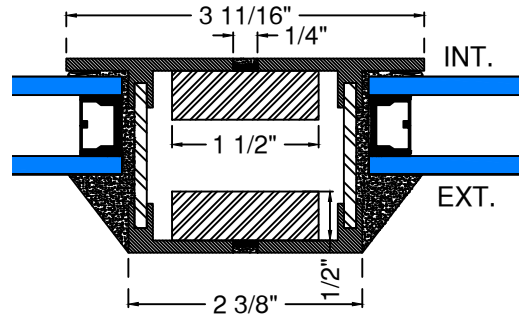
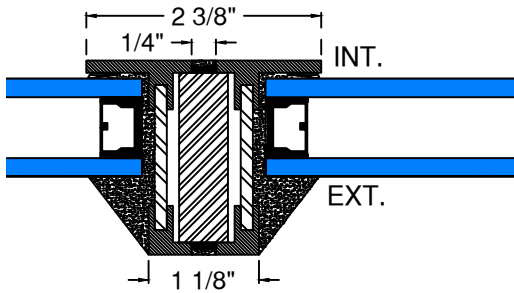


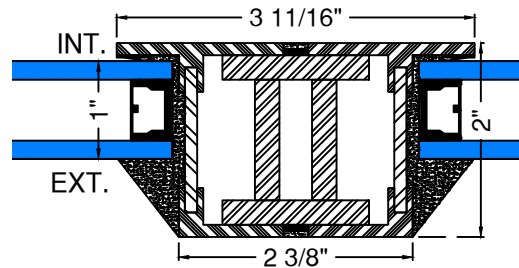
**Oversize Window Unit**



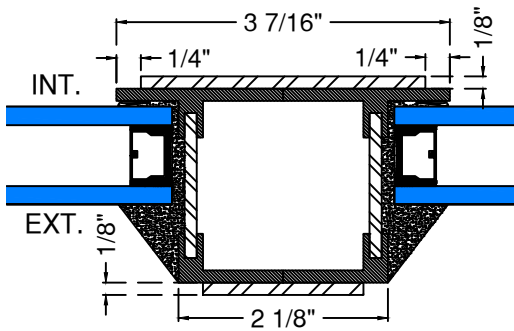
#1 Internal Reinforcement, Thermal Mullion



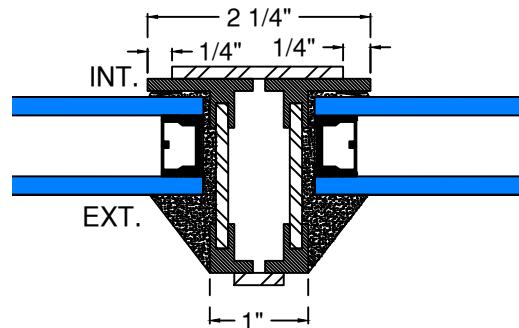
#2 Internal Reinforcement, No Thermal Mullion



#3 Internal Reinforcement, No Thermal Mullion



#4 External Reinforcement, Thermal Mullion



#5 External Reinforcement, Thermal Mullion