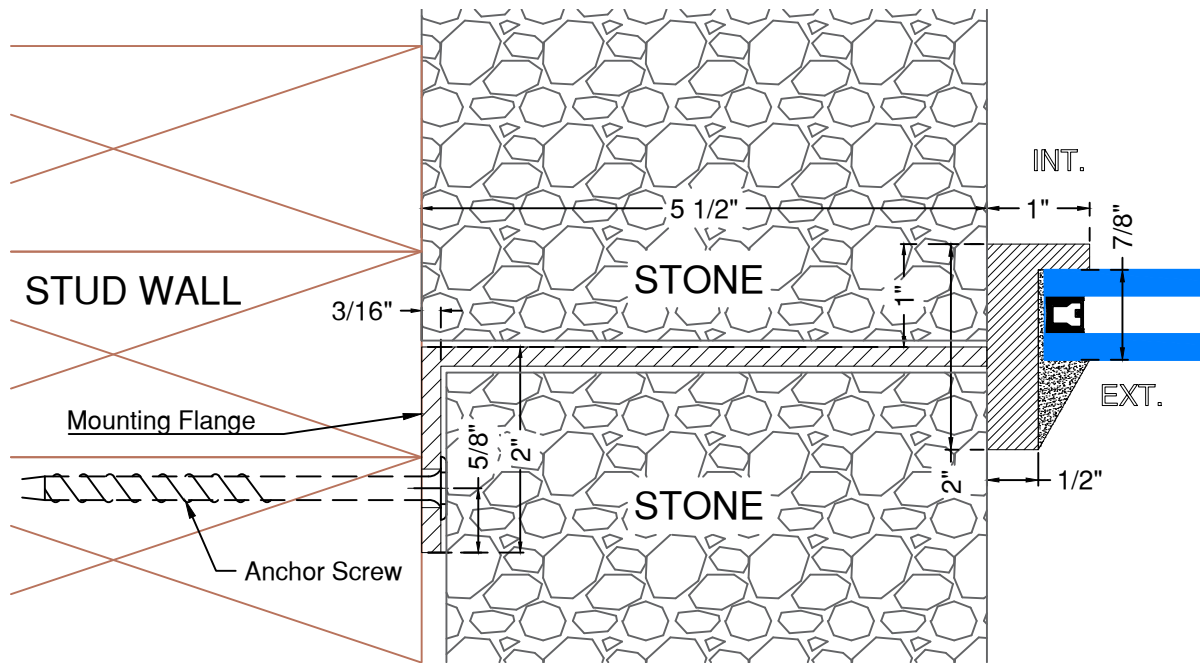


(#3) FLANGE FLUSH TO JAMB



(#4) CUSTOM "L" FLANGE