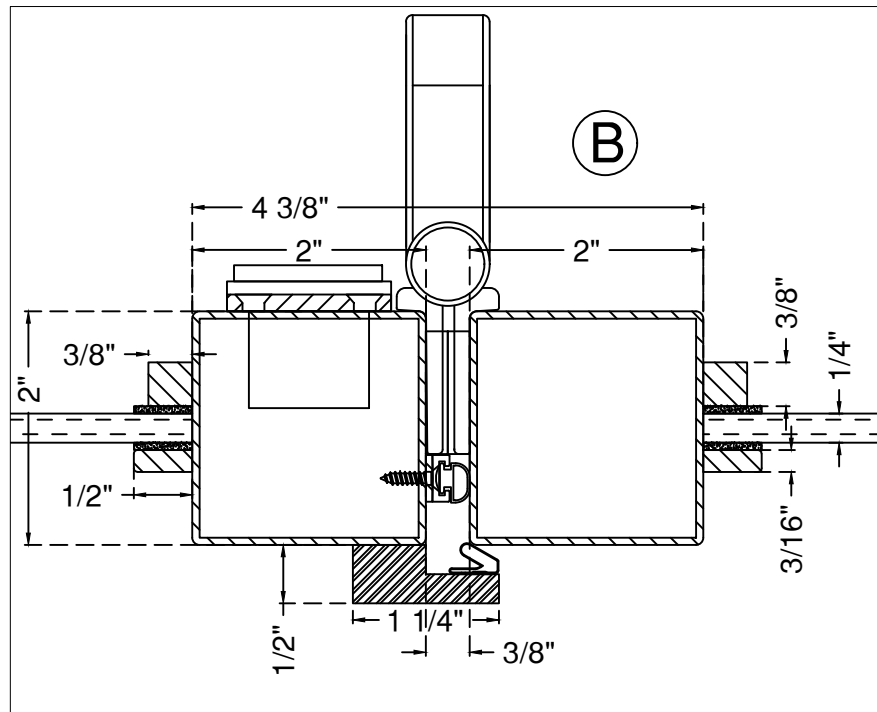
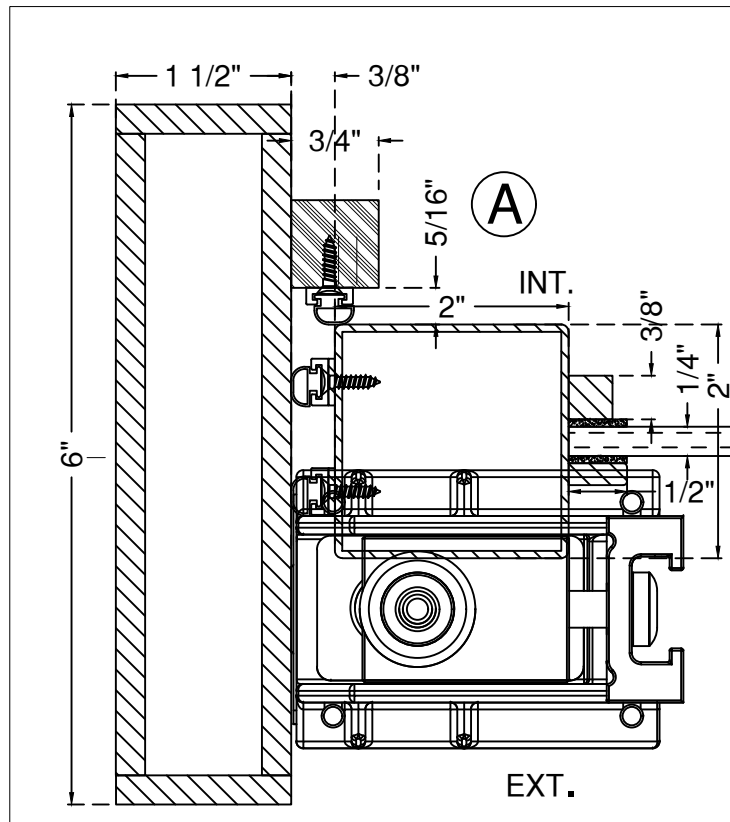
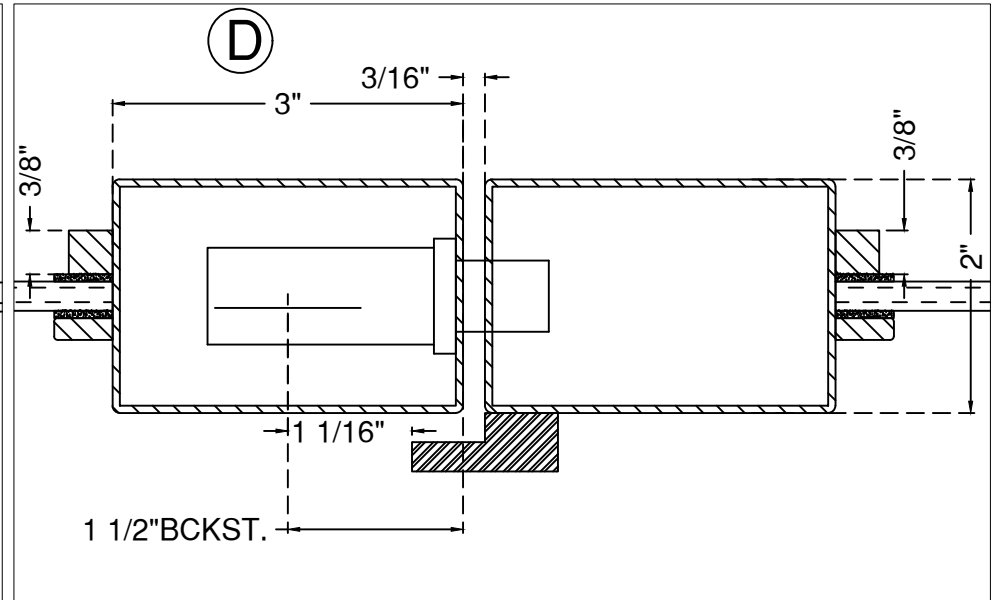
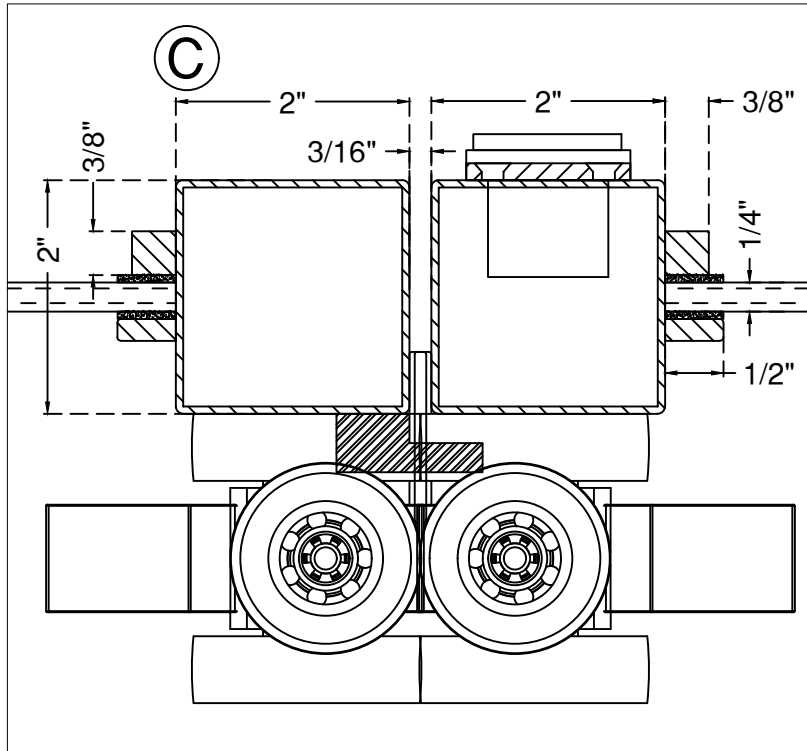
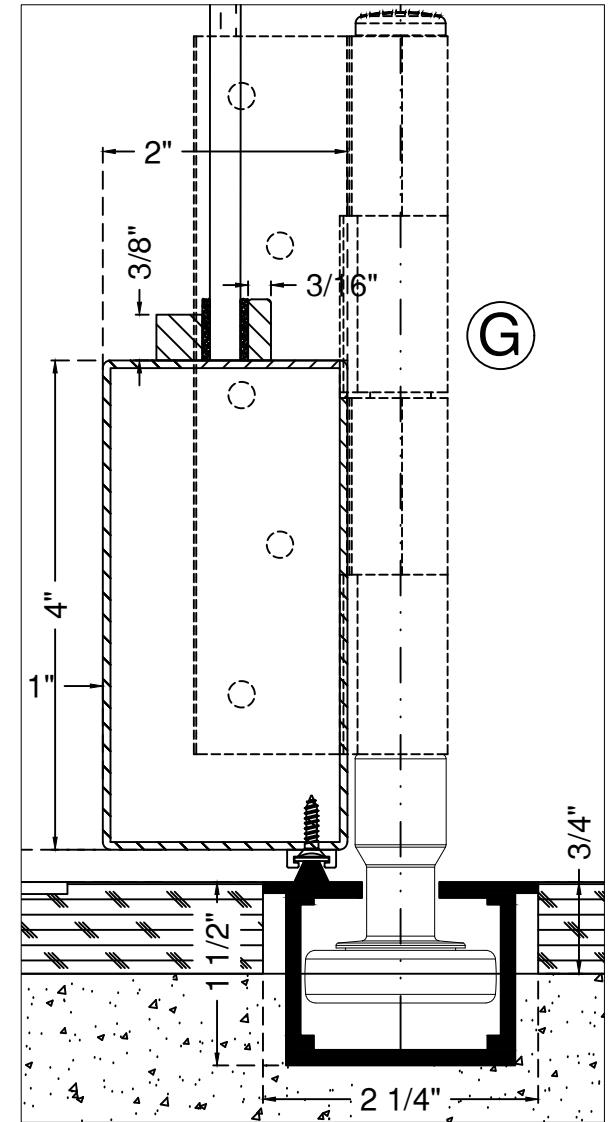
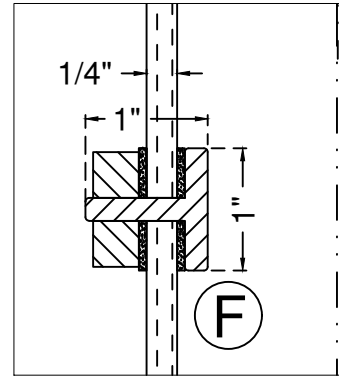
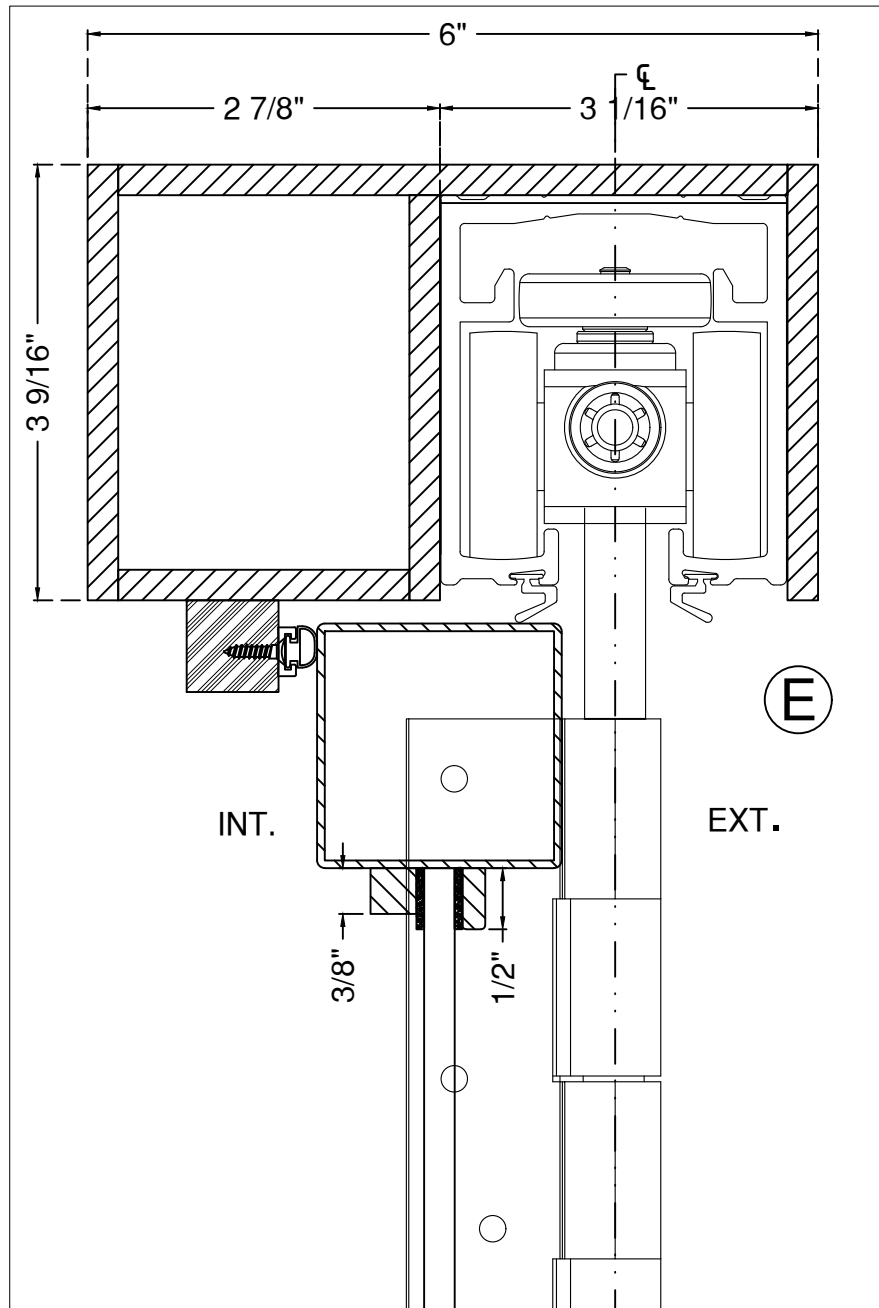
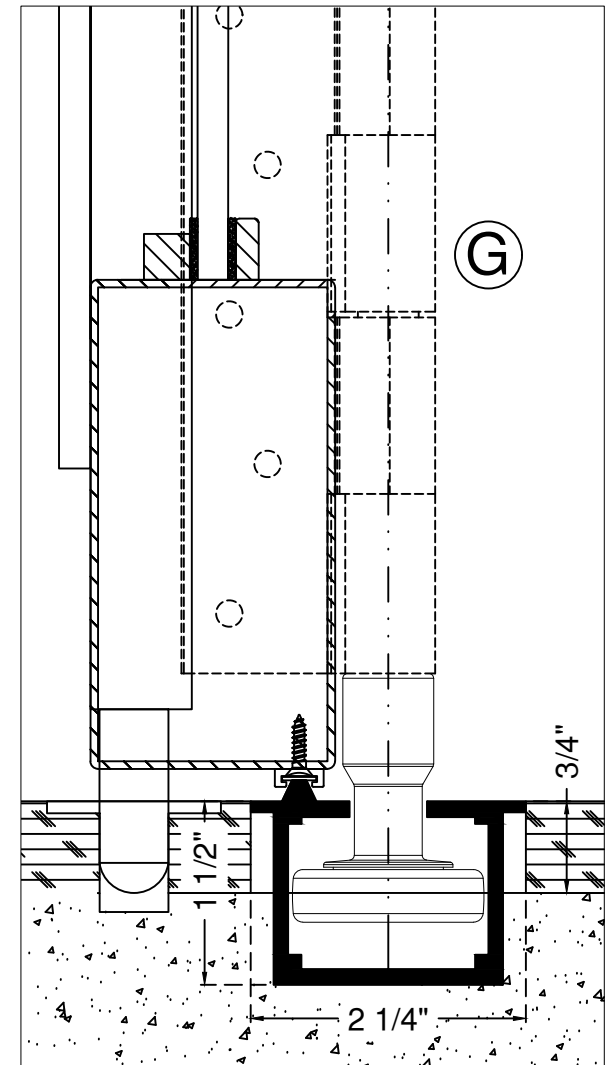
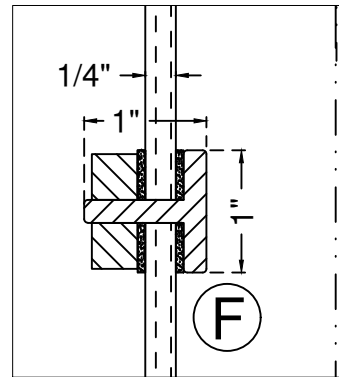
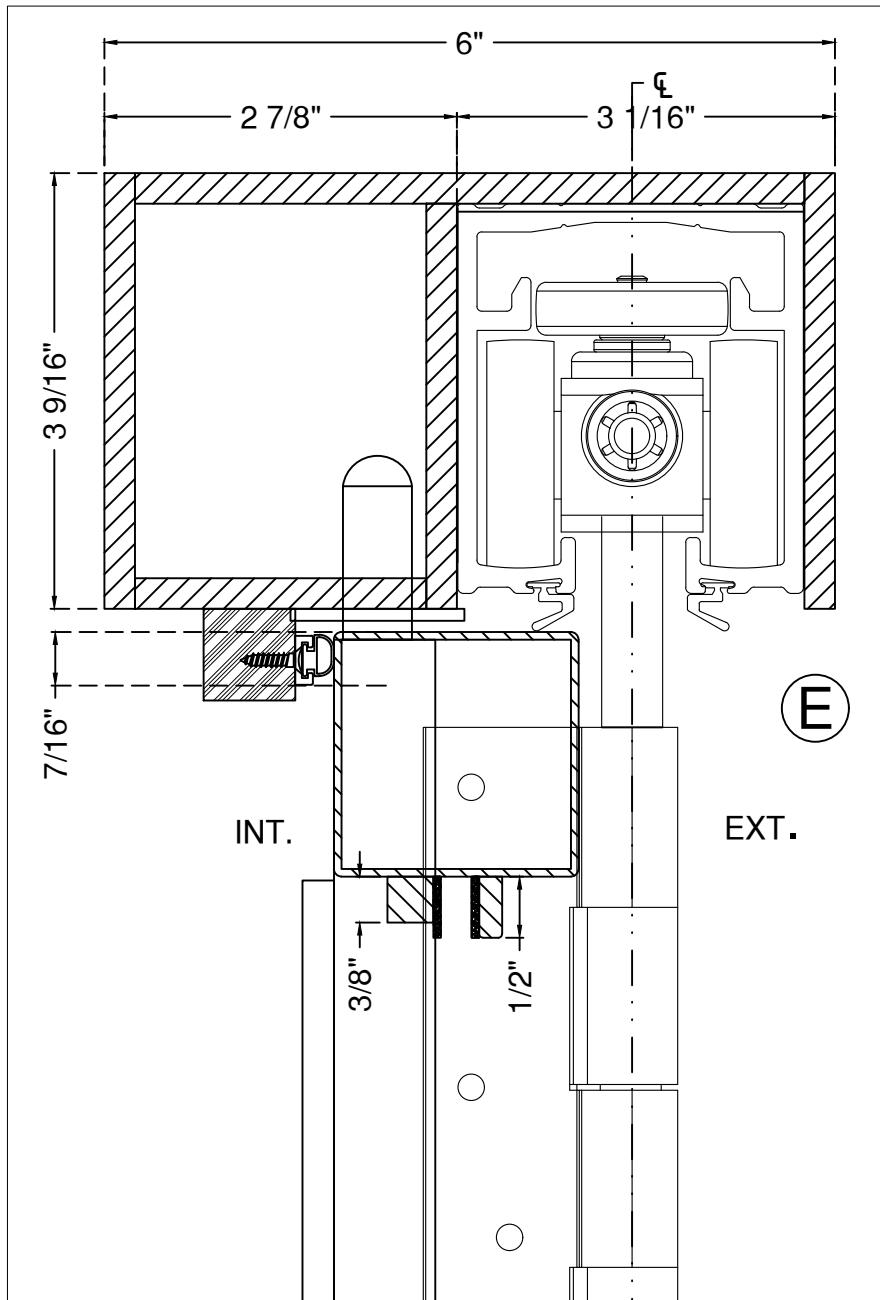


BI-FOLD	
Dimension:	11'-0 1/16"w x 8'-7 3/8"
Configuracion:	2L 2R
Arco (Arch):	FLAT
Marco (Jamb):	6" X 1-1/2"
Bastidor(Stile):	2" X 2"
Bisagra(Hinge)	CENTOR E4
Vidrio (Glass):	16 LITE(1/4") CARDINAL SGP LAMI; LOW-E IMBEDDED,366 LOW-E 1/4" TH
Rollers:	N/A
Picap./Flushbolt	YES 2 PCS CONCELEAD
Abre (Swing):	OUT
Color (Colour):	TBD
Sealant Color:	TBD
Alarm Holes:	TBD



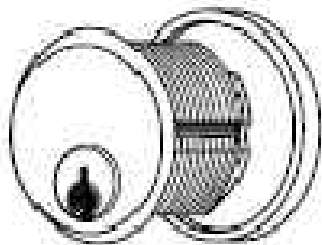
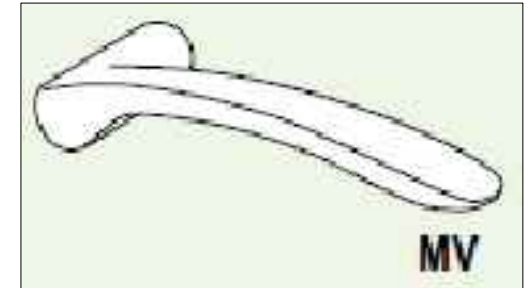
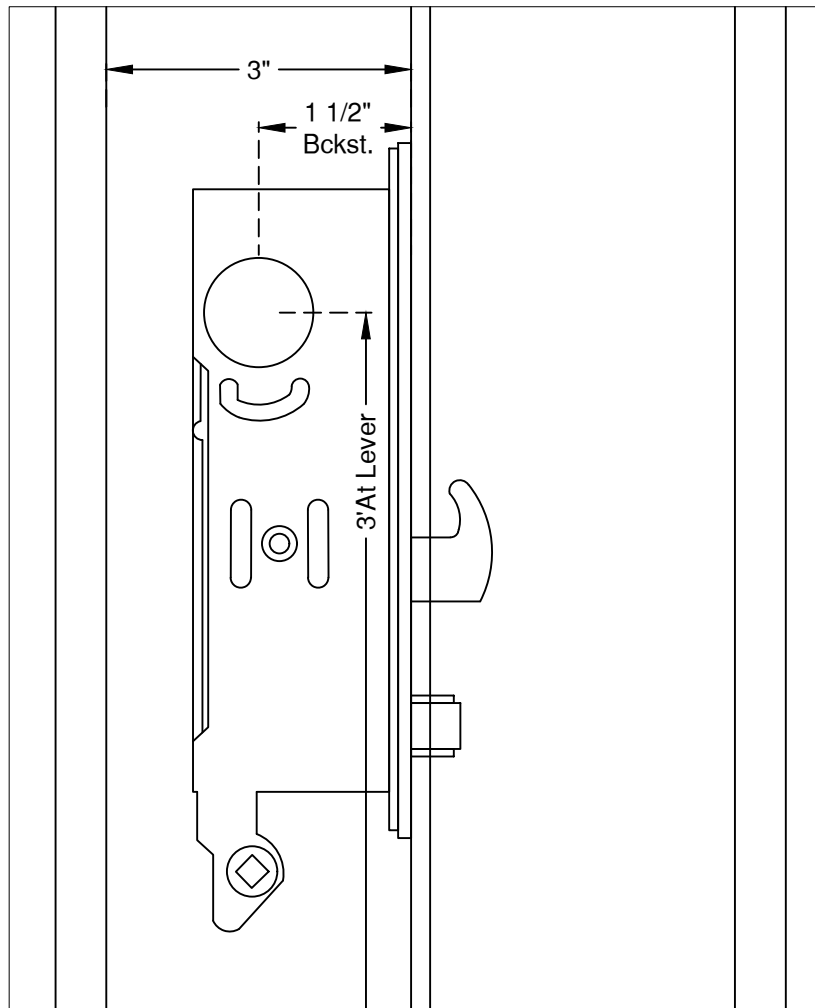






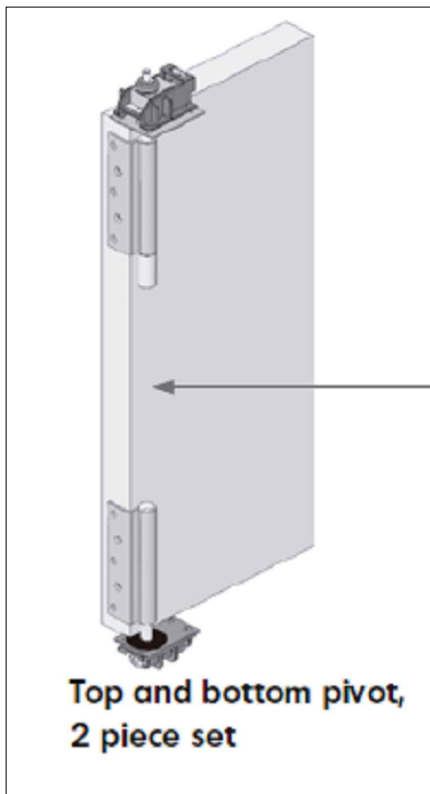
ORDER: BI-FOLD

Hrdwr Supplier:	ADAMS RITE
Hrdwr Function:	Mortise Entry lock hrdwr (MS+1890 SERIES)
Escutcheon Size/Model:	TBD
Backset	1-1/2"
Lock Description:	Cilynder and Lever/Lever
Pull Handles:	MV (ADAMS RITE)TBD



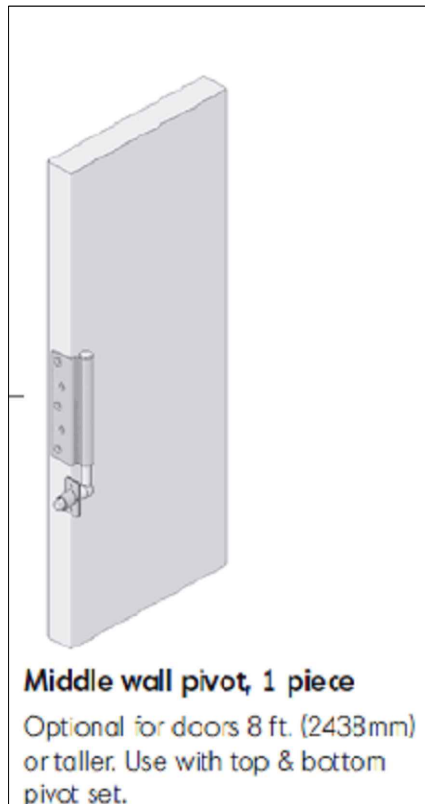
MORTISE CYLINDER - 4036-01

- Standard diameter five-pin unit with MS cam, suitable for use with entry trim. Available in quantity all keyed different (KD), in pairs (KA2), or 50 alike (KA50). Any other make standard mortise cylinder with MS® cam can be used to key-in with existing systems.



Top and bottom pivot, 2 piece set

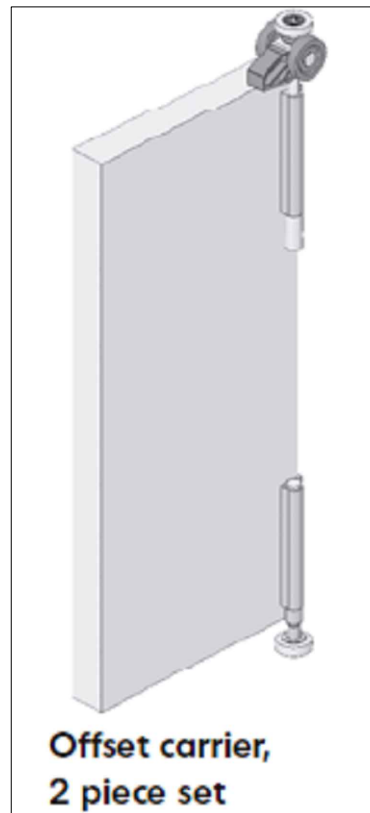
2 sets (KTE4PSOL)



Middle wall pivot, 1 piece

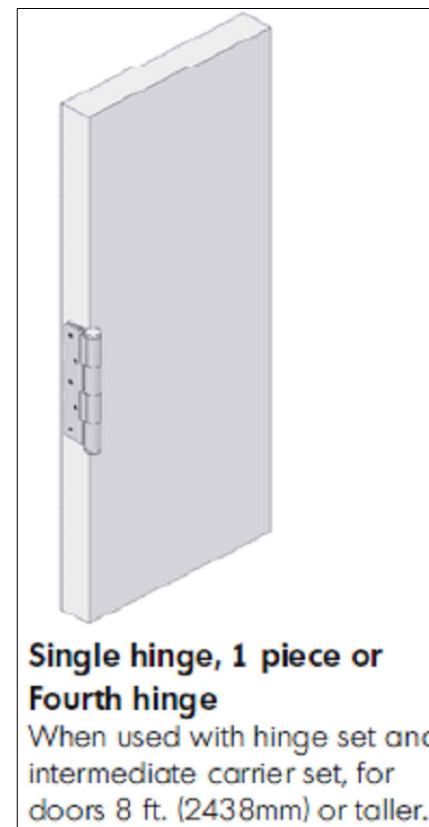
Optional for doors 8 ft. (2438mm) or taller. Use with top & bottom pivot set.

2 pcs (KTE4WPOL)



Offset carrier, 2 piece set

1 sets left
1 sets right
(KTE4WPOL)



Single hinge, 1 piece or Fourth hinge

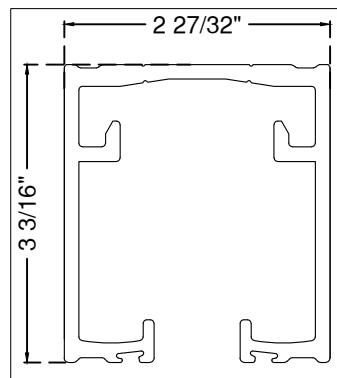
When used with hinge set and intermediate carrier set, for doors 8 ft. (2438mm) or taller.

6 pcs (KTE4HNOL)



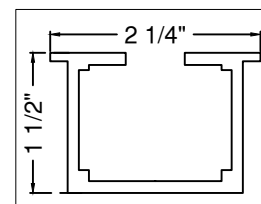
Single Hinge Flat (With Handle)

2 pcs (KTE4HOL)



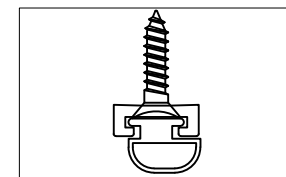
TRACK

1 pcs (KT80D)(147")



FLOOR CHANNEL

1 pcs (KT18D)(147")



**369_DV
4PCS (10')**

Magnets

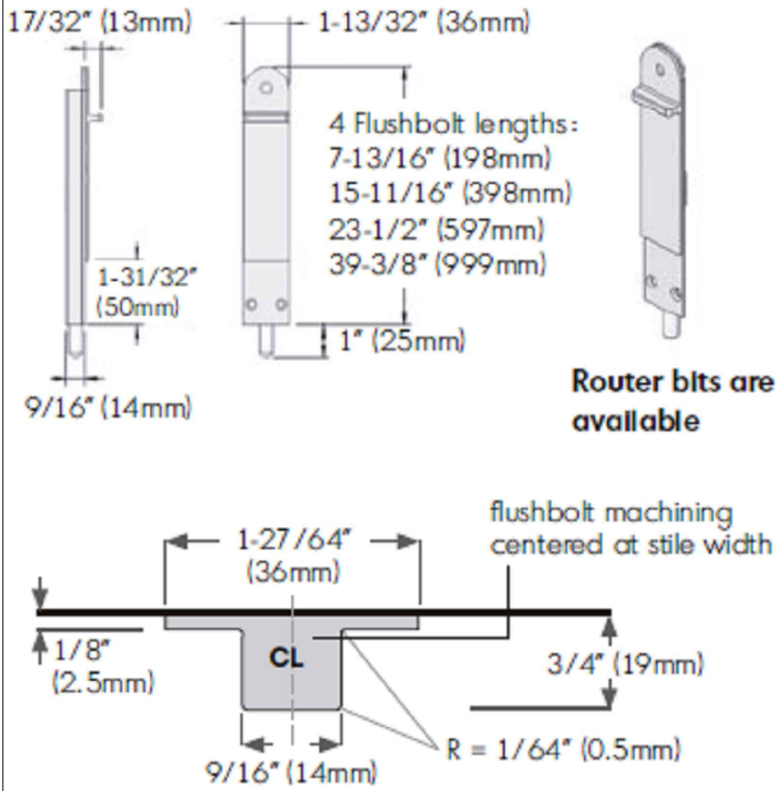
KTEMAG "Magnets" For Holding The Door Panels In The Open Position



KTEMAG (sold as pairs)

2 sets (KTEMAG)

Symphony Flushbolt Assembly



Router bits are available

3pcs(KTDBSY400NRX)16"

3pcs(KTDBSY1000NRX)39"

Adhesive Backed Gasket



Neoprene gasket, black

KTE4HGASKET

Adhesive back gasket for optimum sealing performance around all hinge flaps

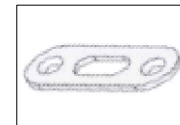
8pcs10'(KTE4HGASKET)



Flushbolt cup used with floor channel and ADA sill

KT749BRONZE bronze powder coat

3pcs(KT749BRONZE)



Strike plate for header

KTDBSPQ bronze powder coat

3pcs(KTDBSPQ)