

SPECIFICATIONS

ATB8100

BI-FOLD DOOR OUT SWING
Carbon Steel (Optional Stainless Steel and Bronze)

Door Hinge: Brio System
Hurricane Impact rated System
With Stainless Pivots,
Hinges Dropbolts and Edge/Hinge pulls.
Door lock: Hoppe Multipoint System
Flushbolt: Centor Surface Flushbolts

Glazing:
Type: Double (Single and Triple Available)
Glass: Cardinal 366 over clear Tempered
NFRC ratings vary based on glass type
Spacer: Black
Thickness: 1" Overall
Glazing Orientation: Exterior
Stop Type: Factory Wet Glazed
(Metal Stop available)
Muntin: 1-1/4" for TDL

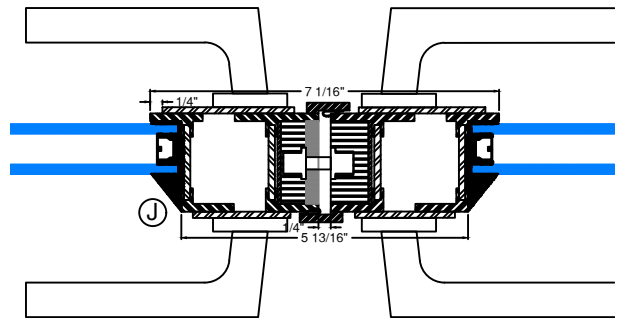
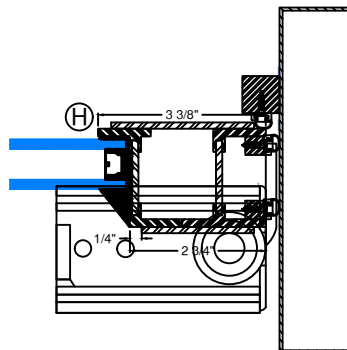
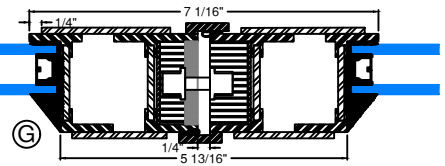
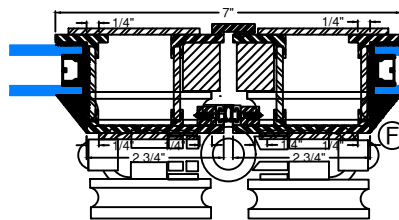
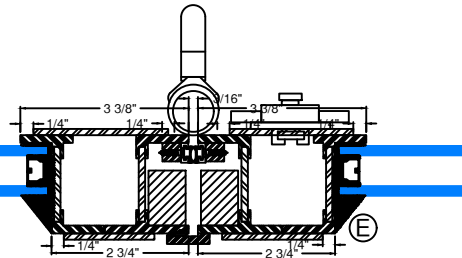
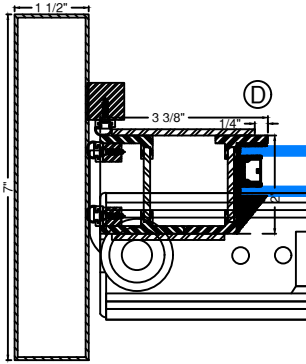
Weather Strip:
Silicon Gasket 4-Point Contact, Black

Sill: Centor E4 Aluminum

Frame Depth: 2"

Finish:
Thermally Bonded Galvanized
Paint Finish Options Specify Color
2 coats of epoxy Base Primer
2 coats of Acrylic Lacquer Paint
3 coats of Clear Polyurethane

Coastal Finish Available



*Door exceeding 12 ft. in width or 12 ft. in height will ship in separate sections to be site milled.
For Installation Flange Details-Refer to Installation Flange options