

**SPECIFICATIONS**

**ATB3200**

**PUSH OUT CASEMENT TO FIXED WINDOW**

Carbon Steel (Optional Stainless Steel and Bronze)

Window Hinge: Steel Post in Barrel w/Ball Bearings

Window Lock: Latch Sash Lock

Window operation: Stay Bar

**Glazing:**

Type: Double (Single and Triple Available)

Glass: Cardinal 366 over clear Tempered

NFRC ratings vary based on glass type

Spacer: Black

Thickness: 1" Overall

Glazing Orientation: Exterior

Stop Type: Factory Wet Glazed

(Metal Stop available)

Muntin: 1-1/4" for TDL

**Weather Strip:**

Silicon Gasket 4-Point Contact, Black

**Frame Depth: 2"**

**Finish:**

Thermally Bonded Galvanized

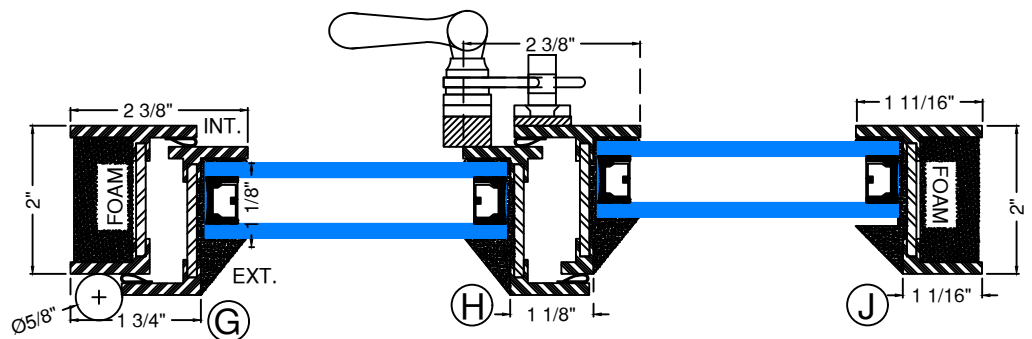
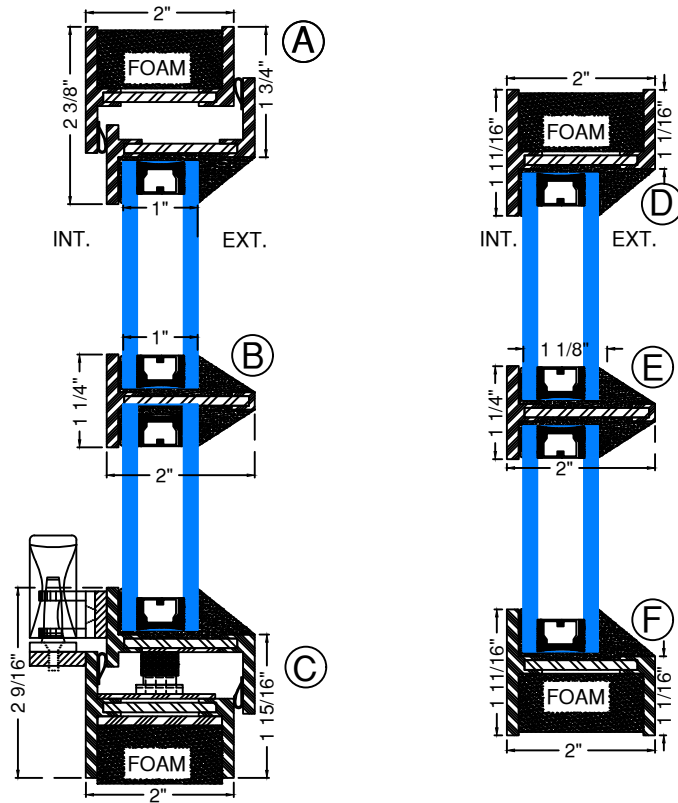
Paint Finish Options Specify Color

2 coats of epoxy Base Primer

2 coats of Acrylic Lacquer Paint

3 coats of Clear Polyurethane

Coastal Finish Available



\*For Installation Flange Details-Refer to Installation Flange options pages.

\*Window exceeding 12 ft. in width or 12 ft. in height will ship in separate sections to be site mullied. Refer to "Mull Section" pages.