

SPECIFICATIONS

ATB2200

PUSH OUT DOUBLE CASEMENT WINDOW
Carbon Steel (Optional Stainless Steel and Bronze)

Window Hinge: Steel Post in Barrel w/Ball Bearings
Window Lock: Latch Sash Lock
Window operation: Stay Bar

Glazing:

Type: Double (Single and Triple Available)
Glass: Cardinal 366 over clear Tempered
NFRC ratings vary based on glass Type
Spacer: Black
Thickness: 1"
Glazing Orientation: Exterior
Stop Type: Factory Wet Glazed
Muntin: 1-1/4" for TDL

Weather Strip:

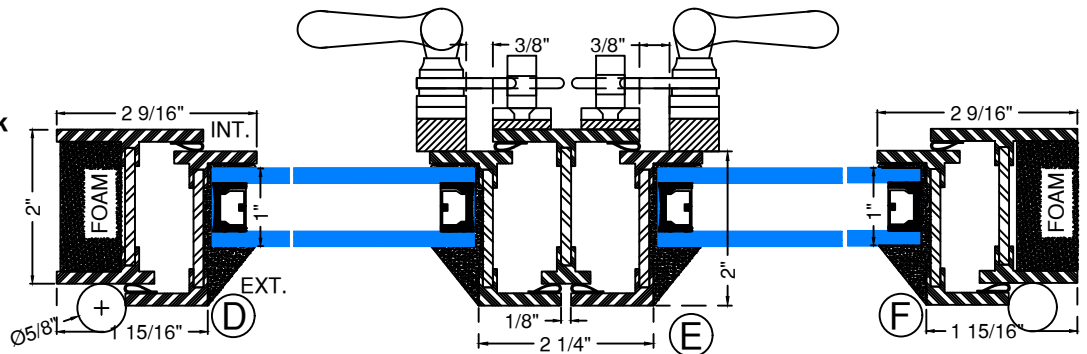
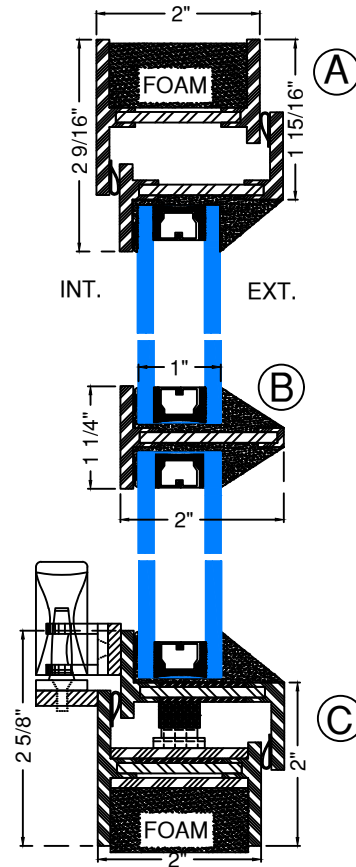
Silicon Gasket 4-Point Contact, Black

Frame Depth: 2"

Finish:

Thermally Bonded Galvanized
Paint Finish Options Specify Color
2 coats of epoxy Base Primer
2 coats of Acrylic Lacquer Paint
3 coats of Clear Polyurethane

Coastal Finish Available



*For Installation Flange Details-Refer to Installation Flange options pages.

*Window exceeding 12 ft. in width or 12 ft. in height will ship in separate sections to be site mullied. Refer to "Mull Section" pages.