

SPECIFICATIONS

ATB1100

FIXED WINDOW WITH NARROW BOTTOM RAIL
Carbon Steel (Optional Stainless Steel and Bronze)

Glazing:

Type: Double (Single and Triple Available)

Glass: Cardinal 366 over clear Tempered
(other options available)

NFRC ratings vary based on glass type

Spacer: Black

Thickness: 1" Overall

Glazing Orientation: Exterior

Stop Type: Factory Wet Glazed (Metal Stop available)

Muntin: 1-1/4" for TDL

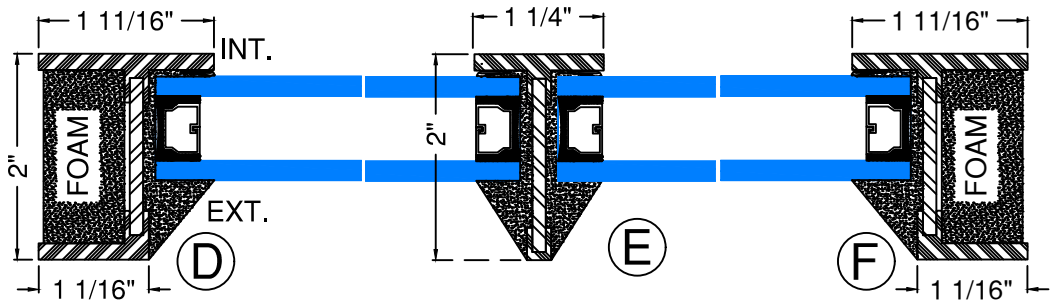
Weather Strip:

N/A

Frame Depth: 2"

Finish:

Thermally Bonded Galvanized
Paint Finish Options Specify Color
2 coats of epoxy Base Primer
2 coats of Acrylic Lacquer Paint
3 coats of Clear Polyurethane



Coastal Finish Available

*For Installation Flange Details-Refer to Installation Flange options pages.

*Window exceeding 12 ft. in width or 12 ft. in height will ship in separate sections to be site mullied. Refer to "Mull Section" pages.