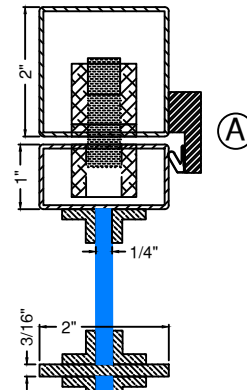
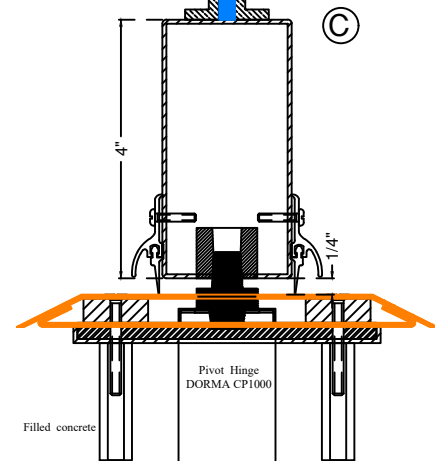
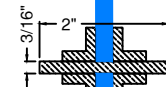


(A)



(A)



(C)

SPECIFICATIONS

SFI 9000

PIVOT DOOR
Carbon Steel

Door Hinge: Carbon Steel Post in Barrel w/ Ball Bearings

Door Lock: Mortise Lock, Rocky Mountain or Ashley

Norton

Flushbolt: on inactive door top and bottom

Portella Custom external Mounted

Glazing:

Type: Single

Glass: Clear tempered

Spacer: N/A

Thickness: 1/4" Overall

Glazing Orientation: Exterior

Stop Type: Factory Wet Glazed

Muntin: 1-1/4" for TDL

Weather Strip:

Q-Lon Foam and Polyethylene Adhesive Backed

Door Bottom Sweep: Aluminum whit Polyethylene insert

Sill:

Custom Brass, Dark Patina.

Finish:

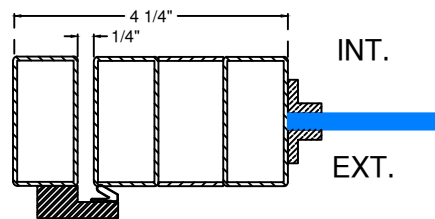
Paint Finish Options Specify Color

Paint: Standard and Custom

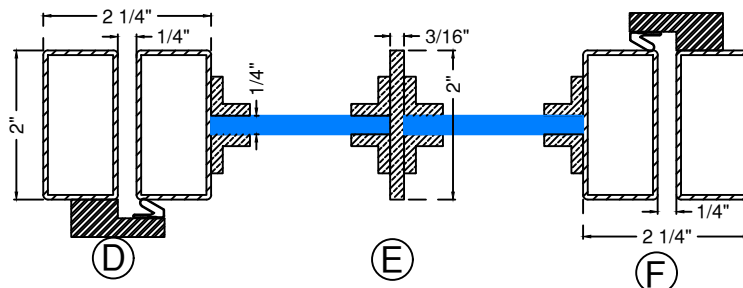
2 coats of epoxy Base Primer

2 coats of Acrylic Lacquer Paint

3 coats of Clear Polyurethane



(G)



(D)

(E)

(F)