

**SPECIFICATIONS**

**C1000**

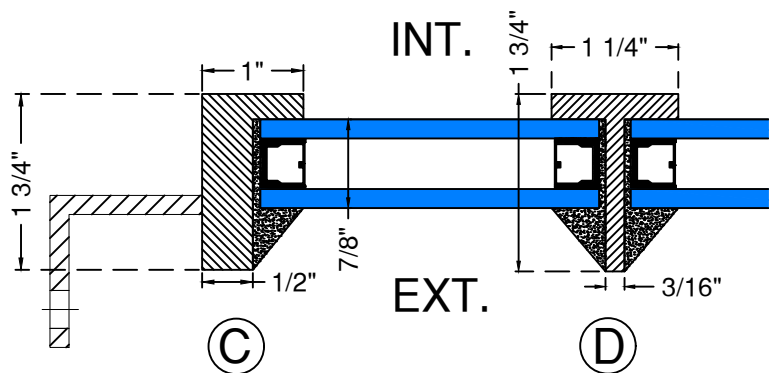
FIXED  
Carbon Steel (optional Stainless Steel).

**Glazing:**  
Type: Double (Single and Triple Available)  
Glass: CARDINAL 366 over clear Tempered  
Spacer: Black  
Thickness: 7/8" Overall  
Glazing Orientation: Exterior  
Stop Type: Factory Wet Glazed  
Muntin: 1-1/4" for TDL

**Weather Strip:**  
N/A

**Sill:**  
Frame Depth: 1-3/4"

**Finish:**  
Thermally Bonded Galvanized  
Primer 2 coats-Macroproxy Marine Grade  
ASTM D4587,D5894  
Finish Color 2 Coats-Polyurethane Enamel



For Installation Flange Details-Refer to Installation Flange options