

SPECIFICATIONS

ATB6000

OUT-SWING DOOR

Carbon Steel (Optional Stainless Steel and Bronze)

Door Hinge: Adjustable Steel Post in Barrel w/Ball Bearings

Door Lock: Hoppe Multipoint System

Glazing:

Type: Double (Single and Triple Available)

Glass: Cardinal 366 over clear Tempered

NFRC ratings vary based on glass type

Spacer: Black

Thickness: 1" Overall

Glazing Orientation: Exterior

Stop Type: Factory Wet Glazed (Metal Stop available)

Muntin: 1-1/4" for TDL

Weather Strip:

Silicon Gasket 4-Point Contact, Black

Sill: Custom Bronze Weep,

Bronze Patina

Frame Depth: 2"

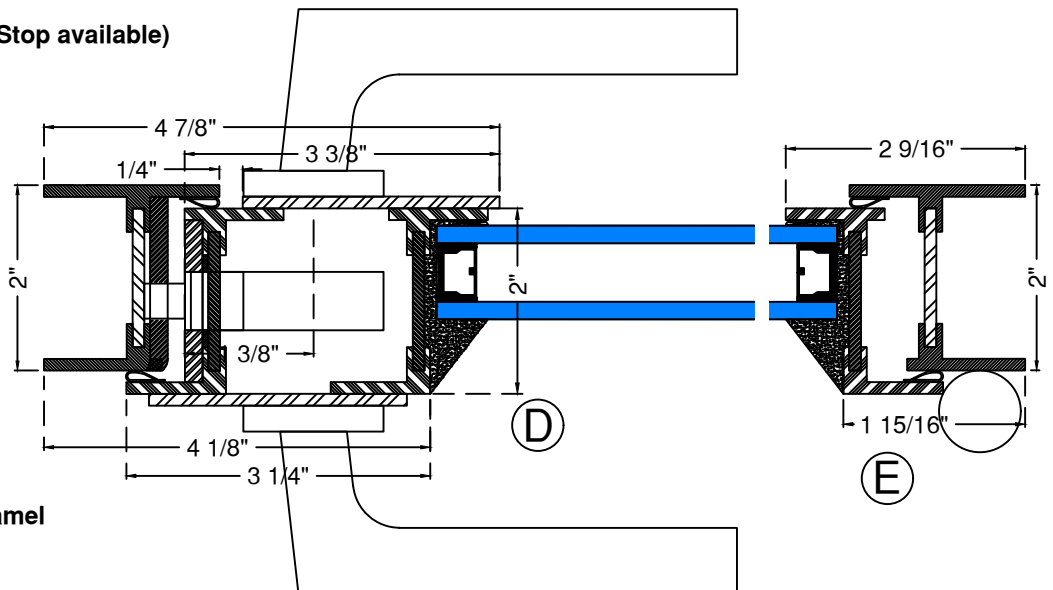
Finish:

Thermally Bonded Galvanized

Primer 2 coats-Macroproxy Marine

Grade ASTM D4587,D5894

Finish Color 2 Coats-Polyurethane Enamel



For Installation Flange Details-Refer to Installation Flange options