

**SPECIFICATIONS**

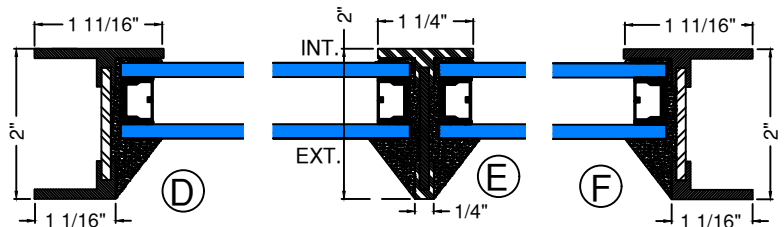
**ATB4100**

AWNING WINDOW W/FIXED  
Carbon Steel (Optional Stainless Steel and Bronze)

Window Hinge: Steel Post in Barrel w/Ball Bearings  
Window Lock: Roto Crank (Stay Bar)

**Glazing:**

Type: Double (Single and Triple Available)  
Glass: Cardinal 366 over clear Tempered  
NFRC ratings vary based on glass type  
Spacer: Black  
Thickness: 1" Overall  
Glazing Orientation: Exterior  
Stop Type: Factory Wet Glazed (Metal Stop available)  
Muntin: 1-1/4" for TDL



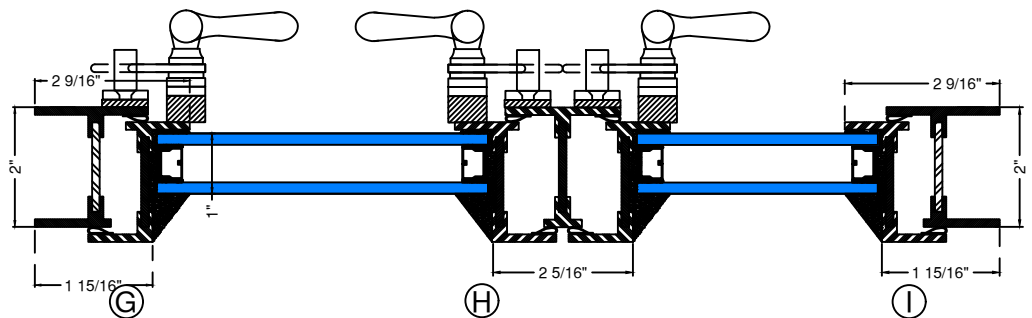
**Weather Strip:**

Silicon Gasket 4-Point Contact, Black

**Frame Depth:** 2"

**Finish:**

Thermally Bonded Galvanized  
Primer 2 coats-Macropoxy Marine  
Grade ASTM D4587, D5894  
Finish Color 2 Coats-Polyurethane  
Enamel



For Installation Flange Details-Refer to Installation Flange options