

SPECIFICATIONS

ATB2100

PUSH OUT FRENCH CASEMENT WINDOW
Carbon Steel (Optional Stainless Steel and Bronze)

Window Hinge: Steel Post in Barrel w/Ball Bearings
Window Lock: Latch Sash Lock
Window operation: Stay Bar

Glazing:

Type: Double (Single and Triple Available)
Glass: Cardinal 366 over clear Tempered
NFRC ratings vary based on glass type
Spacer: Black
Thickness: 1"
Glazing Orientation: Exterior
Stop Type: Factory Wet Glazed (Metal Stop available)
Muntin: 1-1/4" for TDL

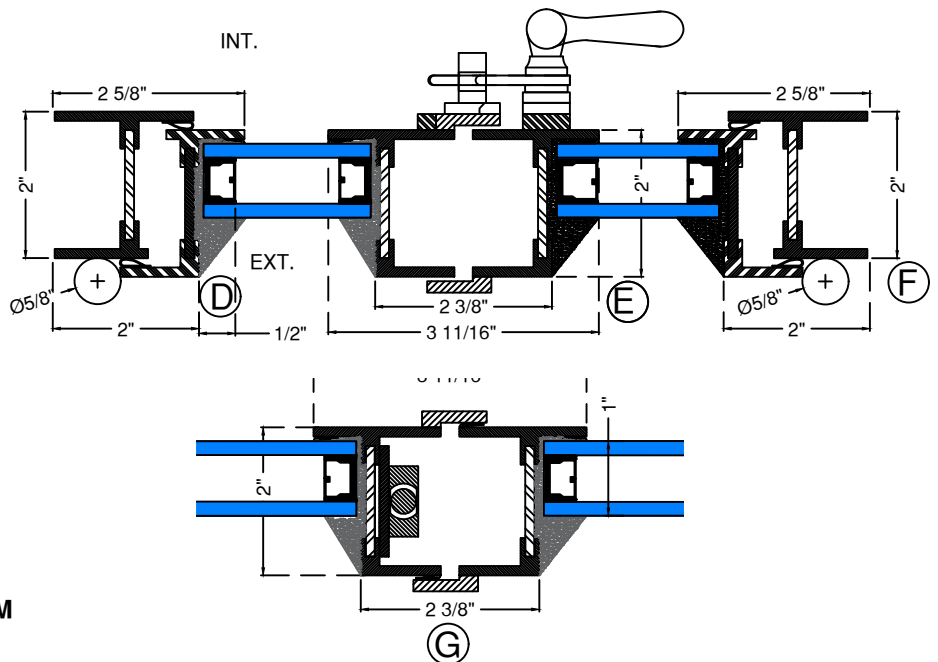
Weather Strip:

Silicon Gasket 4-Point Contact, Black

Frame Depth: 2"

Finish:

Thermally Bonded Galvanized
Primer 2 coats-Macroproxy Marine Grade ASTM D4587,D5894
Finish Color 2 Coats-Polyurethane Enamel



For Installation Flange Details-Refer to Installation Flange options